

RGBW/RGB/CCT/Dimming 4 Channels LED RF Controller

Model No. : S122-DH

4 Channels/DC power socket input/Stepless dimming/Wireless remote control/Auto-transmitting/Synchronize

Features

- DC power socket input and 4 channels constant voltage output.
- Match with RF 2.4G single zone or multiple zone single color, dual color and RGB/RGBW remote control.
- 4096 levels 0-100% dimming smoothly without any flash.
- When using with RGB/RGBW light, built in some dynamic mode, include jump or gradual change style.
- Auto-transmitting function: Controller automatically transmit signal to another controller with 30m control distance.
- Synchronize on multiple number of controllers.

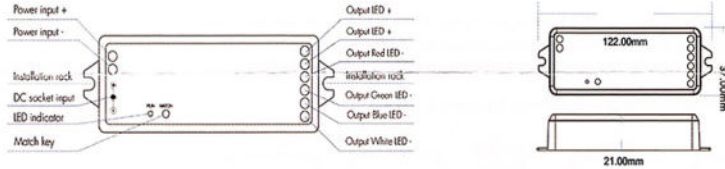


RoHS LVD RED

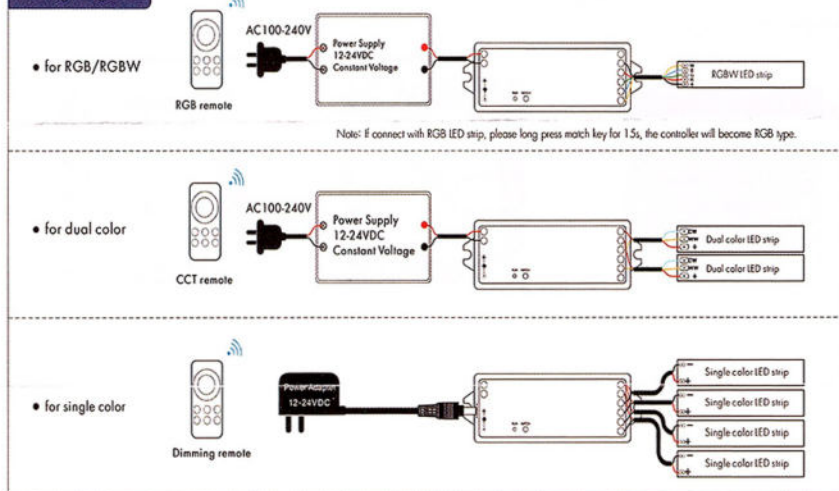
Technical Parameters

Input and Output		Dimming data	
Input voltage	12-24VDC	Input signal	RF 2.4GHz
Input current	1.5A	Control distance	30m(Barrier-free space)
Output voltage	4 x (12-24)VDC	Dimming gray scale	4096 (2^12) levels
Output current	6A/CH	Dimming range	0-100%
Total output Max.	1.5A	Dimming curve	Logarithmic
Output type	Constant voltage	Package and Protection	
Environment		Size	L122 x W37 x H21 mm
Operation temperature	Ta: -20~60°C	Protection	Reverse polarity Short circuit
Case temperature (Max.)	Tc: 85°C		

Mechanical Structures and Installations



Wiring Diagram



Note: User can connect constant voltage power supply or power adapter as power input.

Match Remote Control (two match ways)

End user can choose the suitable match/delete ways. Two options are offered for selection.

Use the receiver match key

Match

Short press the match key on the receiver, the indicator light is on and flashing. At this time, long press the "ON" key on the remote control, the indicator light will slowly blink 3 times means match is successful.

Delete

Short press the match key on the receiver, the indicator light is on and flashing. At this time, long press the "ON" key on the remote control, the indicator light will quickly blink 5 times means the matched remotes were deleted.

Use power restart

Match

First, switch off the power on the receiver for 1-2 seconds, then switch on power for 1-2 seconds, repeat again, the indicator light is on and flashing. At this time, long press the "ON" key on the remote control, the indicator light will slowly blink 3 times means match is successful.

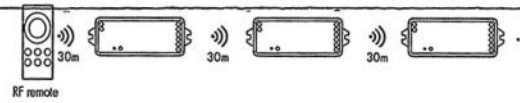
Delete

First, switch off the power on the receiver for 1-2 seconds, then switch on power for 1-2 seconds, repeat again, the indicator light is on and flashing. At this time, long press the "ON" key on the remote control, the indicator light will quickly blink 5 times means the matched remotes were deleted.

*Note: Long press the match key on the receiver for 5 seconds, the indicator light will quickly blink 9 times means all the matched remotes were deleted. The receiver can be all remotes controlled after the matched remotes were deleted.

Application notes

1. All the receivers in the same zone.



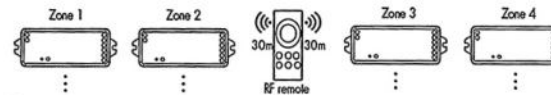
Auto-transmitting: One receiver can transmit the signals from the remote to another receiver within 30m, as long as there is a receiver within 30m, the remote control distance can be extended.

Auto-synchronization: Multiple receivers within 30m distance can work synchronously when they are controlled by the same remote, under same dynamic mode and with same speed.

Receiver placement may offer up to 30m communication distance. Metals and other metal materials will reduce the range.

We recommend for indoor applications that receiver placements should be no further apart than 1.5m.

2. Each receiver (one or more) in a different zone, like zone 1, 2, 3 or 4.



Dimming curve

