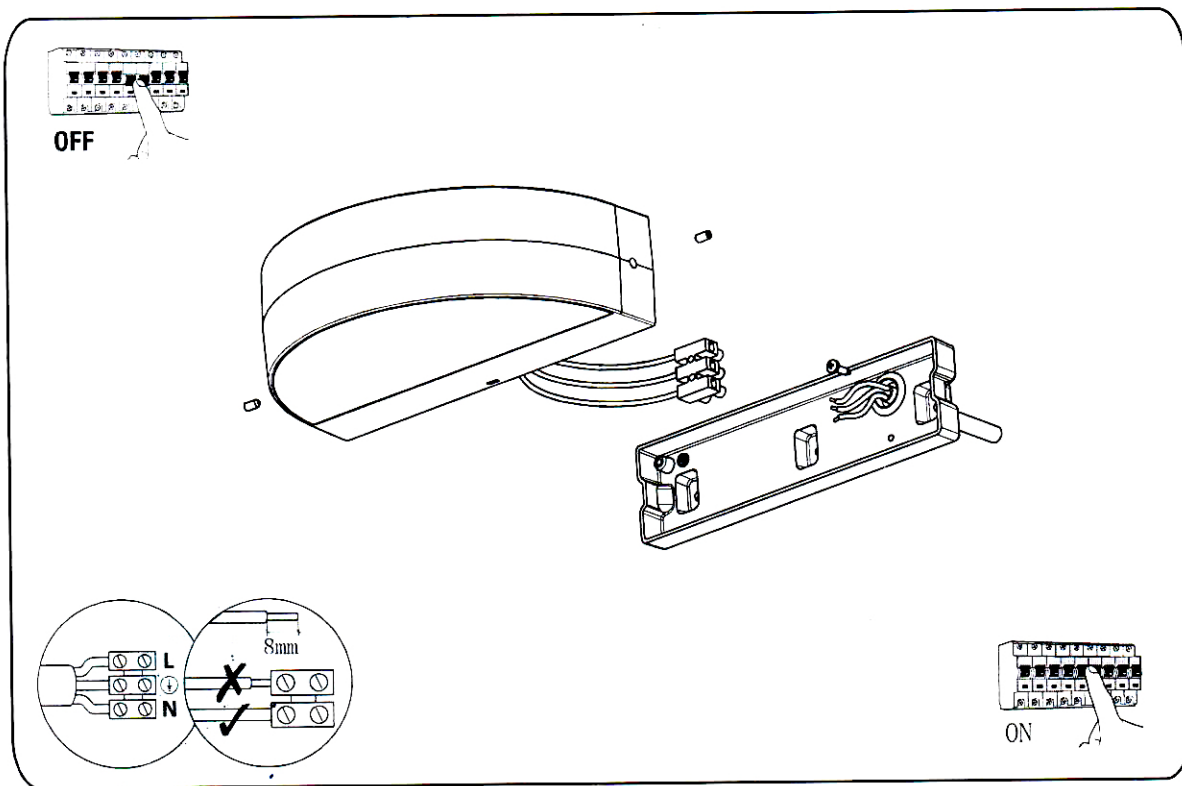


# INSTALLATION INSTRUCTION



**WARNING: MUST BE INSTALLED BY A QUALIFIED ELECTRICIAN.**

