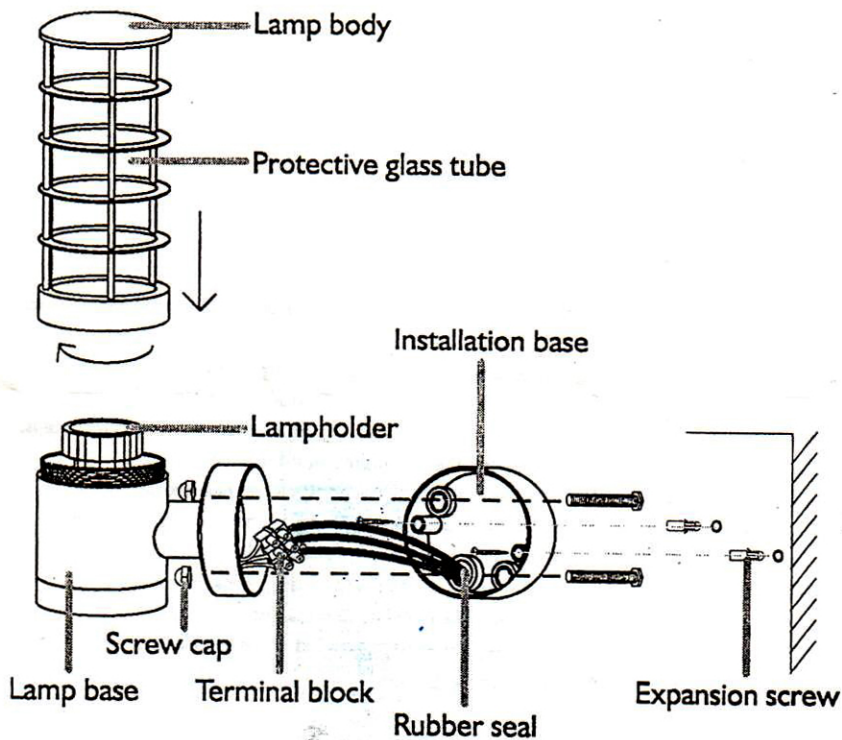


INSTALLATION AND COMPONENT DIAGRAM



⚠ Attention: Must to be installed by qualified electrician

OPERATION INSTRUCTIONS FOR ALUMINIUM DIE-CASTING WALL MOUNTED LAMPS

NOTE: Before starting of installation please read this leaflet carefully.

PARAMETER

Rated voltage: 220V~240V, 50Hz (110V~, 60Hz)

Rated power: 100W, 75W, 60W, 11W, 7W

Lampholder: E27 B22

MAINSTRUCTURES AND PROPERTIES

- o Aluminium alloy die-casting housing, strong and durable
- o Electrostatic coating and thermostatic hardening
- o Attractive appearance and corrosionresistant
- o Rubber seal ring for prevention of dust and water splashing

APPLICATION FIELDS

Interior decoration, outdoor corridor, garden, lawn, beach, riverside, warehouse, tunnel, mine and ship, etc.

INSTALLATION DIRECTION

First, please check whether the lighting fixture has been damaged during transport. If the damage is caused by transport, not the manufacturer but the carrier should take responsibility for it.

When starting the installation disconnect the power first and then pay attention to the following steps:

- (1) Let the wires of the supply circuit pass through the protective ring in the installation base.
- (2) Respectively insert the wires into the protective tubes provided. The wires near the lampholder must be totally covered, i.e: it is to ensure one end of the protective tube reaches the protective ring and the other end reaches the opening of the protective plate of the lampholder.
- (3) Connect the wires with the lampholder correctly and the lamp housing needs to be grounded.
- (4) Fasten the lamp base to the mounting surface using the expansion serews.
- (5) Install the light bulb, which should not exceed the wattage specified on the lighting fixture.
- (6) Secure the lamp body to the lamp base by twisting clockwise.

SAFETY DIRECTION

- o After turning on the switch the bulb will become extremely hot. When the bulb is lighting or not completely cooled, please do not touch the bulb with the bare hand.
- o When changing the bulb, please cut off power first and change the bulb after it has been cooled enough (see the direction of changing the bulb for details).

DIRECTION OF CHANGING BULB

- o Turn off the power
- o Remove the lamp body from lamp base carefully.
- o Screw the cooled bulb off carefully.
- o The new and clean bulb should be screwed on the lampholder correctly.
- o Before turning on the power, securely installing the lamp body on the lamp base.