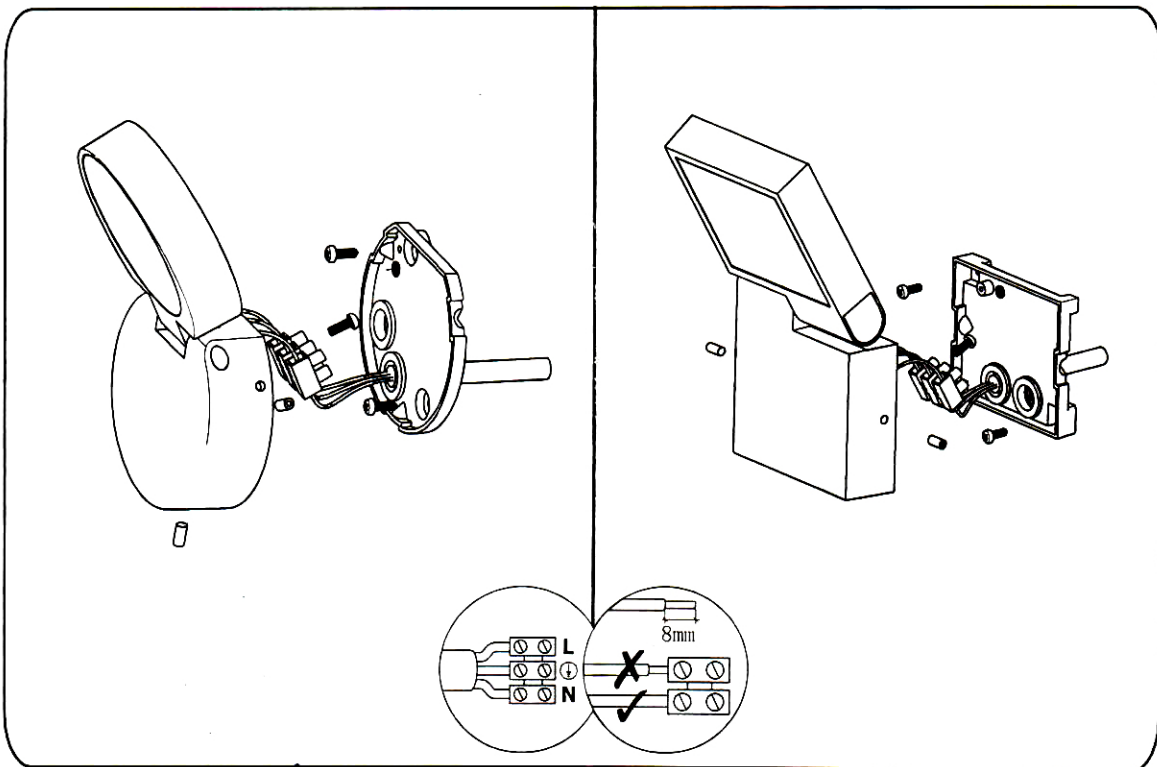


INSTALLATION INSTRUCTION



WARNING: MUST BE INSTALLED BY A QUALIFIED ELECTRICIAN.

